



NEW 

 **FOLLOW ME M 8.0**

TRACKLESS TWINNED TELESCOPIC
CANTILEVER HARDWARE
SPACE-SAVING FEATURE

FOLLOW ME M 8.0

CODE: 1710910

| | mm; kg | mm; kg | mm; kg | mm; kg | mm; kg | mm; kg | mm; kg |
|-------------------------|--------|--------|--------|--------|--------|--------|--------|
| A | 5000 | 5500 | 6000 | 6500 | 7000 | 7500 | 8000 |
| max. weight gate | 500 kg | 525 kg | 550 kg | 575 kg | 600 kg | 625 kg | 650 kg |
| backspace | 4930 | 5330 | 5730 | 6130 | 6530 | 6930 | 7330 |
| B | 1600 | 1750 | 1900 | 2050 | 2200 | 2350 | 2500 |
| C | 2300 | 2450 | 2600 | 2750 | 2900 | 3050 | 3200 |
| D | 350 | 350 | 350 | 350 | 350 | 350 | 350 |
| G | 3915 | 4290 | 4665 | 5040 | 5415 | 5790 | 6165 |
| H | 4830 | 5230 | 5630 | 6030 | 6430 | 6830 | 7230 |
| J | 370 | 370 | 370 | 370 | 370 | 370 | 370 |
| K | 645 | 770 | 895 | 1020 | 1145 | 1270 | 1395 |
| L | 7400 | 8050 | 8700 | 9350 | 10000 | 10650 | 11300 |

Valid for gate frame 60x60



FAST, DOUBLES SPEED OF OPENING



SPACE SAVING FEATURE - 36% OF TAILGATE SPACE



EASY ASSEMBLING



TWIN «C» TRACK CANTILEVER SYSTEM



2ND CANTILEVER LEAF ADJUSTABLE IN 3 AXIS



32.000 CYCLES PROVEN & TESTED



HOT DIPPED GALVANIZED



+ 50°C TESTED & PROVEN



- 37°C TESTED AND PROVEN



SLOTTED HOLE PUNCHED EVERY 400mm IN TRACK



GALVANIZED INTERNAL EDGES



«C» TRACK SERIAL NO. 100% COMPATIBILITY CARRIAGE TESTED



GERMAN STEEL



15 + 15 BOLTS 15 + 15 RIVET NUTS INCLUDED



C 2 HIGH QUALITY BEARINGS



CARRIAGES CENTER HOLES MILLED NOT LASER CUT



MULTI RIVETED SECTIONS



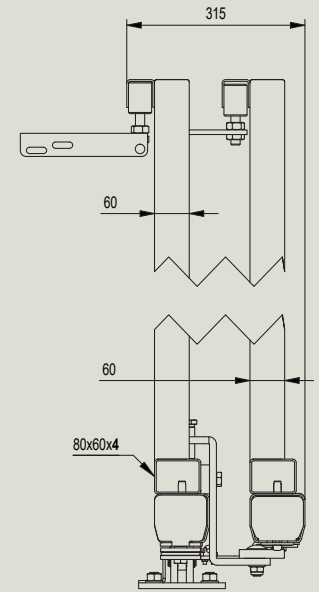
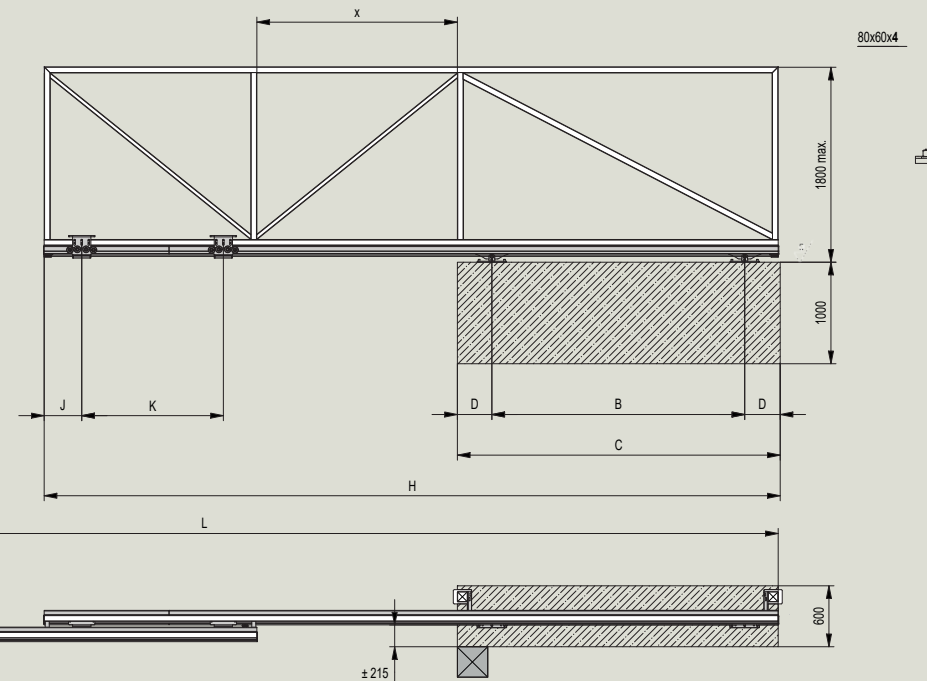
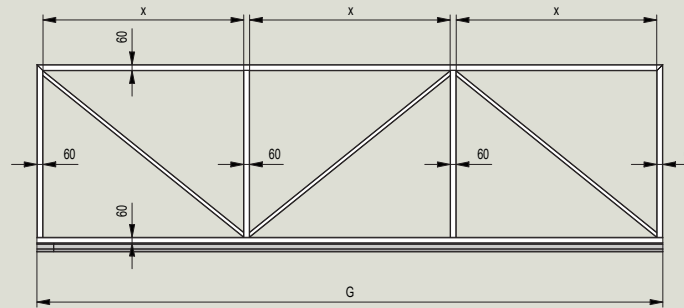
JAPANESE ROBOTICS FANUC



UNIVERSITY OF TECHNOLOGY – BRNO

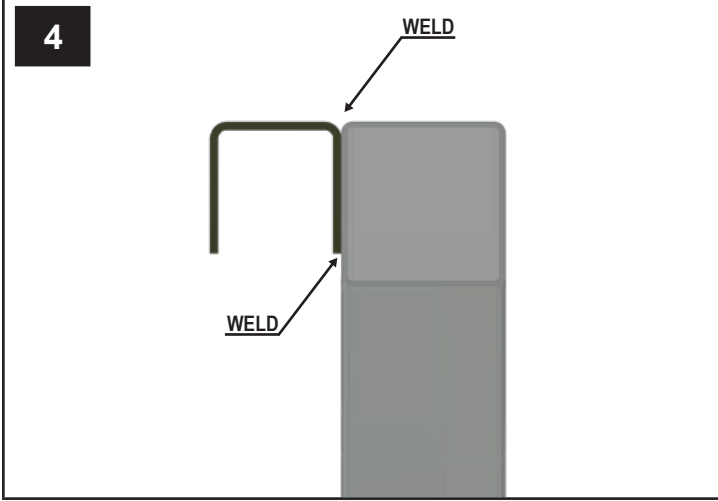
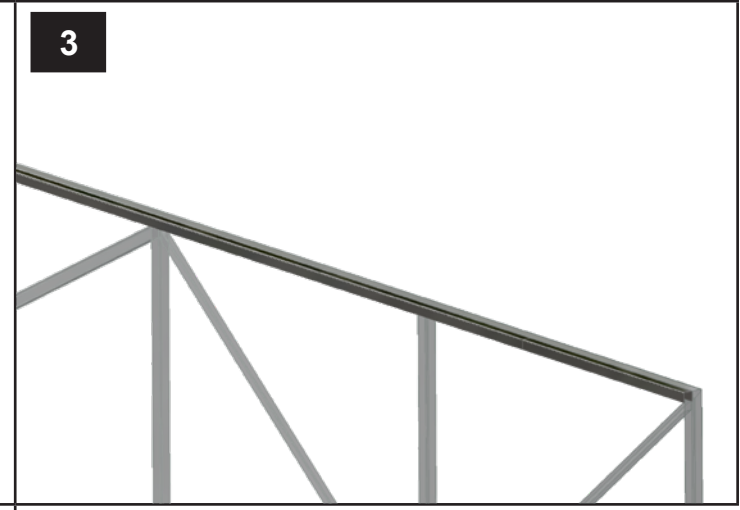
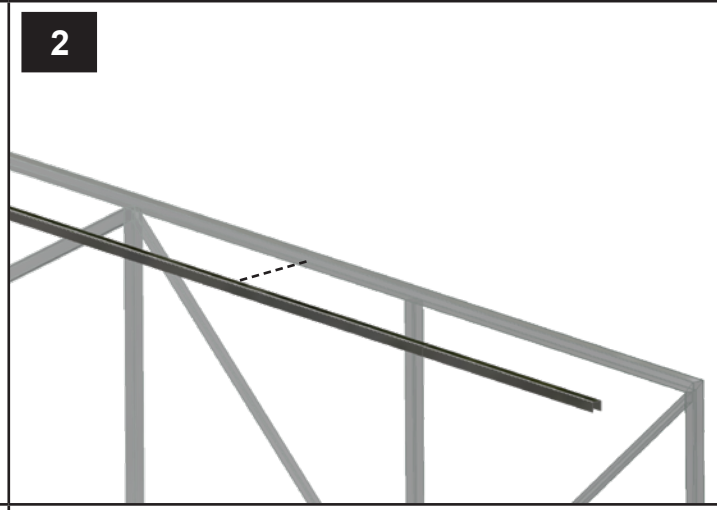
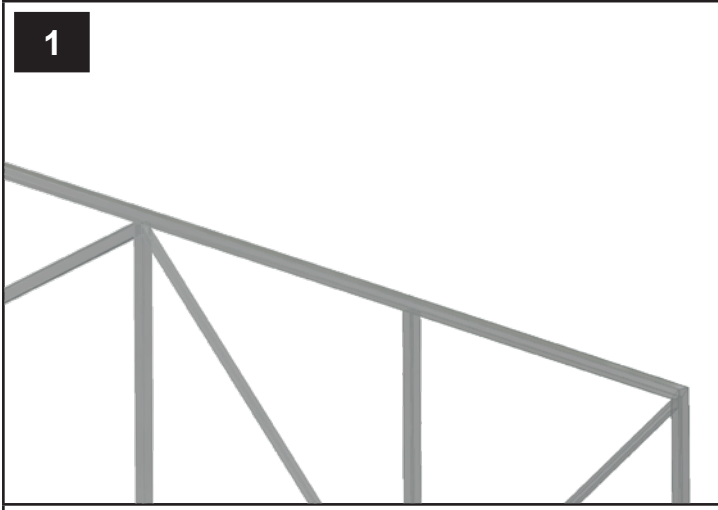


MADE IN CZECH REPUBLIC

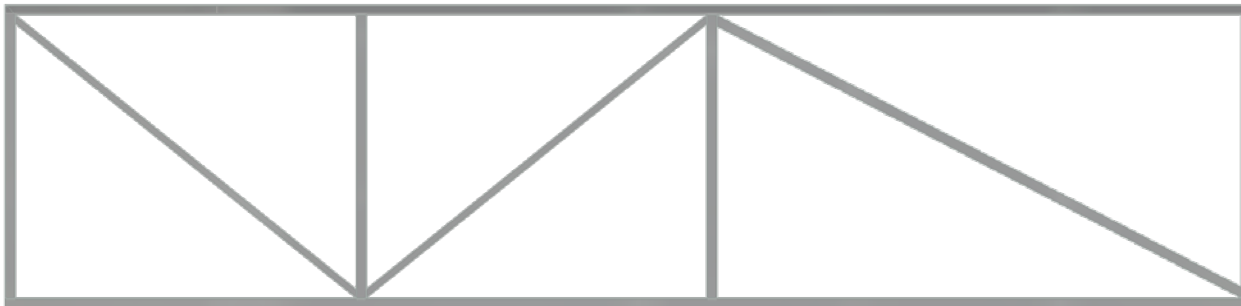


80x60x4





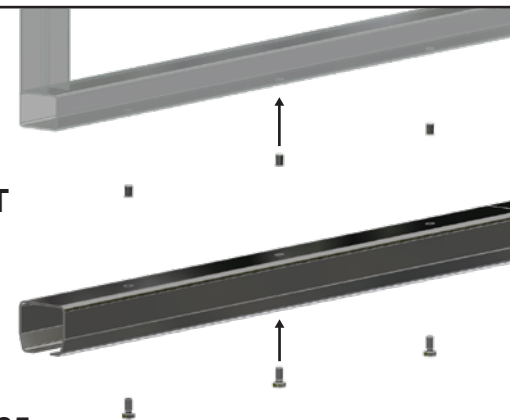
6



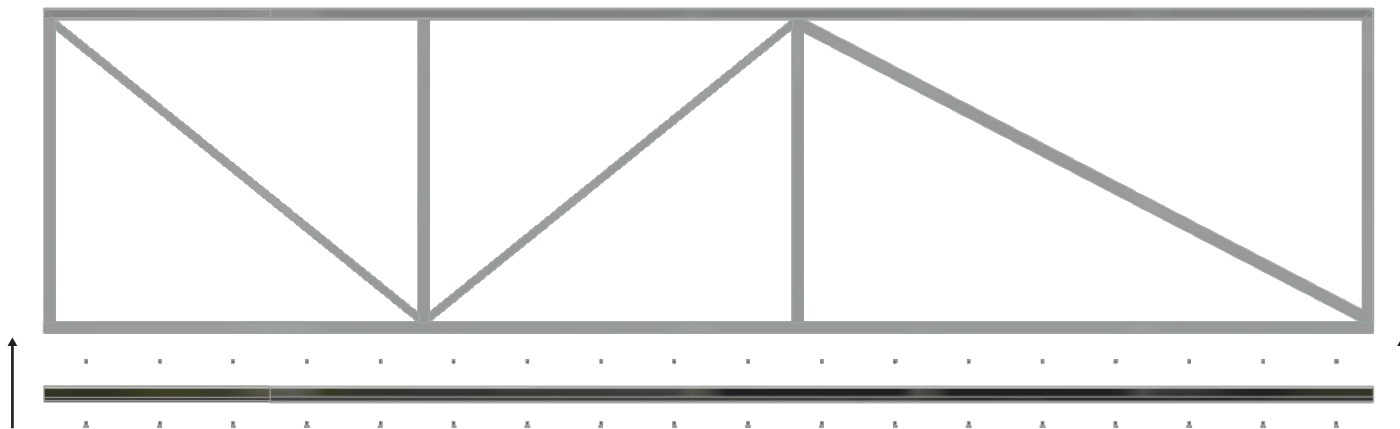
7

RIVET BOLT
M10x25

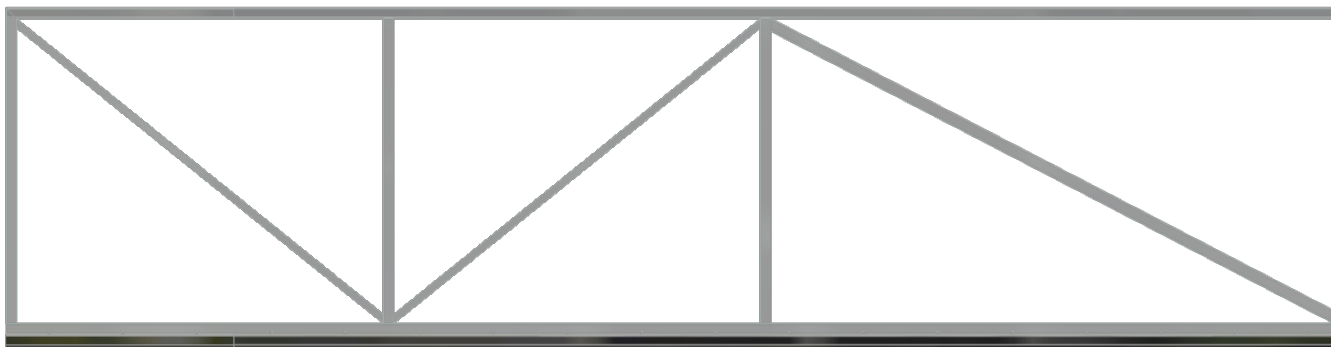
BOLT M10x25



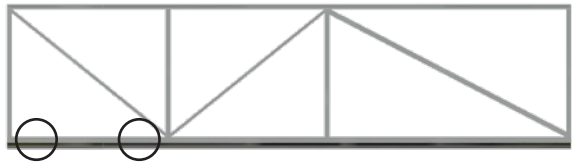
8



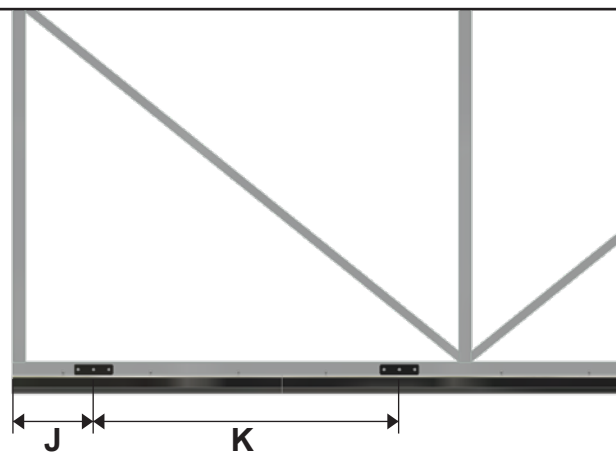
9



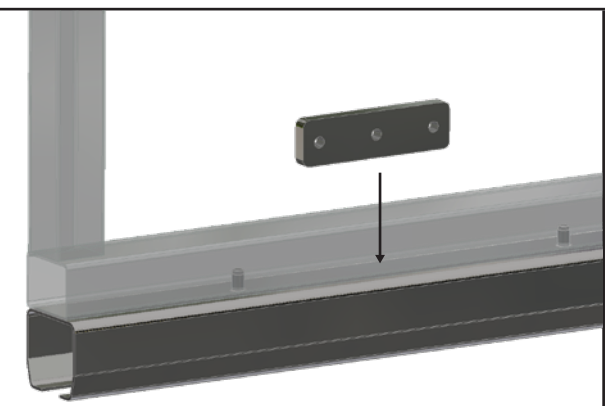
10



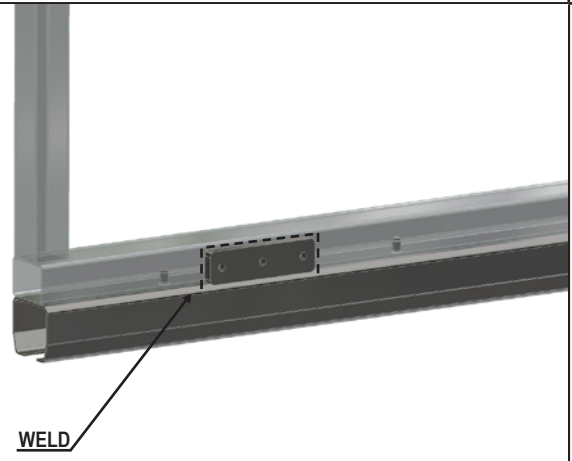
11



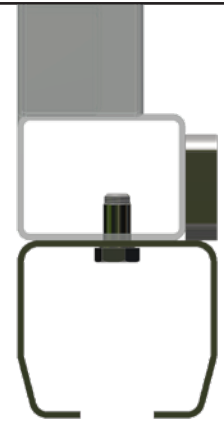
12



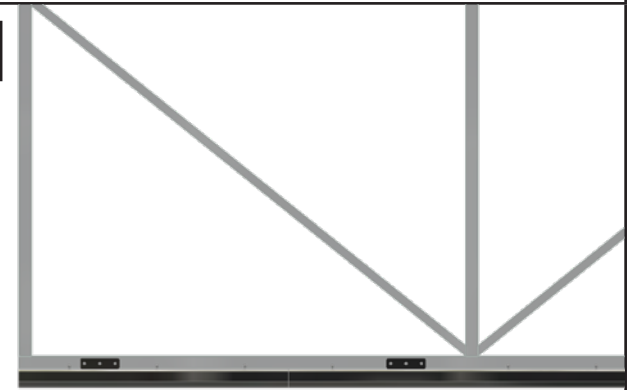
13

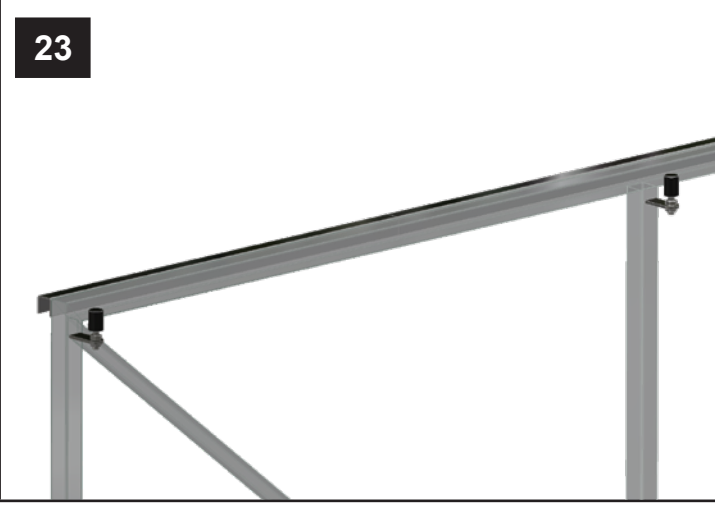
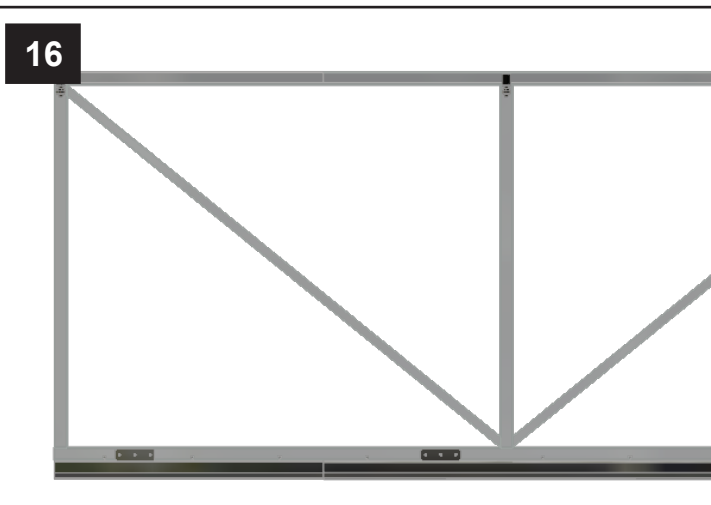


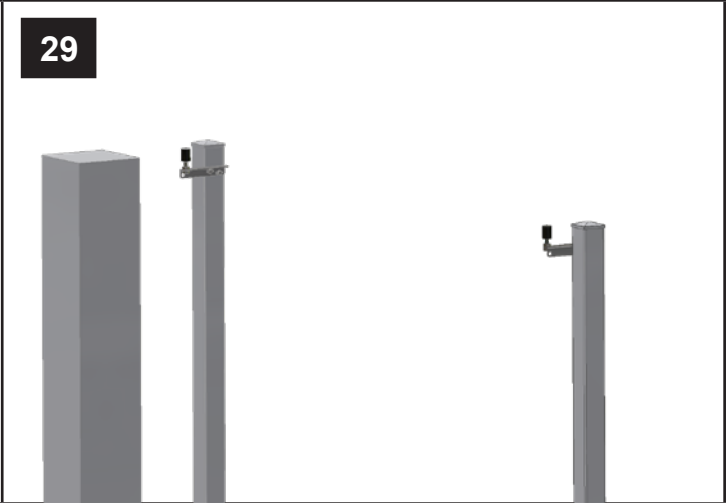
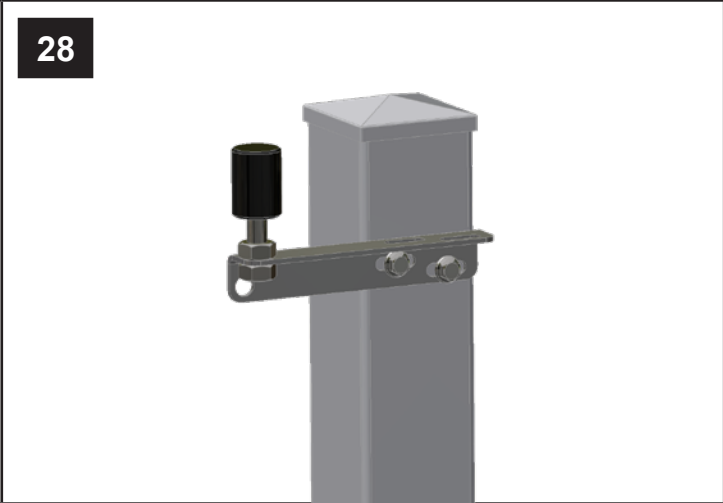
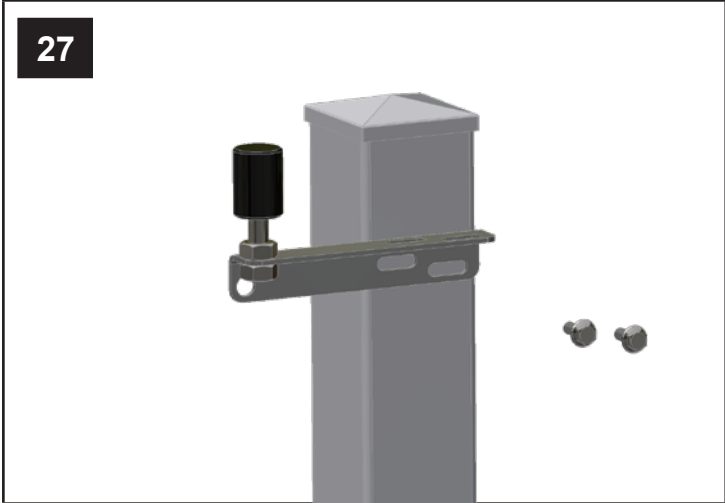
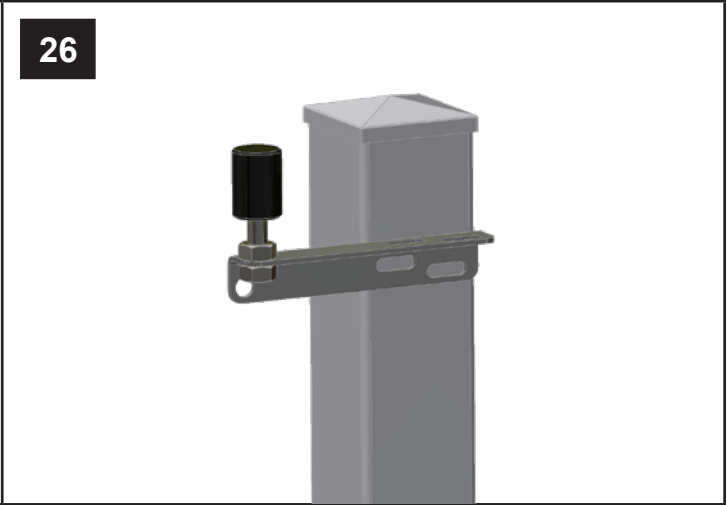
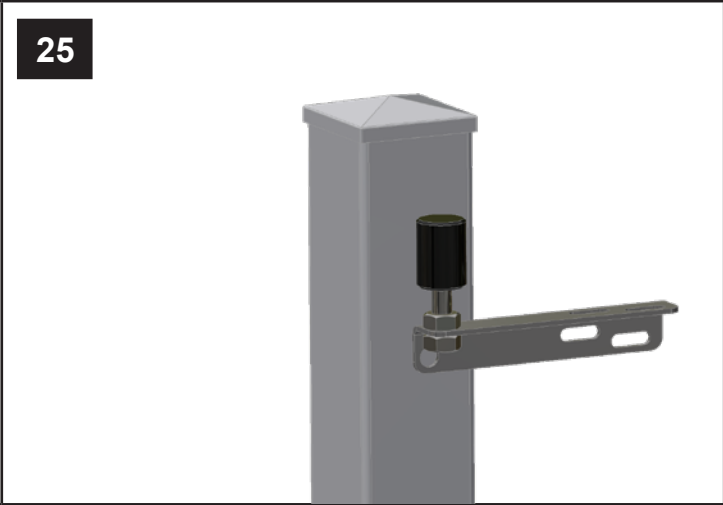
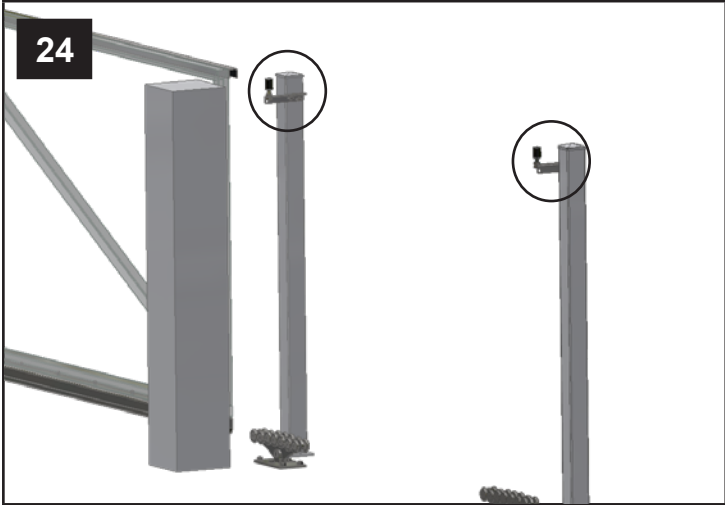
14

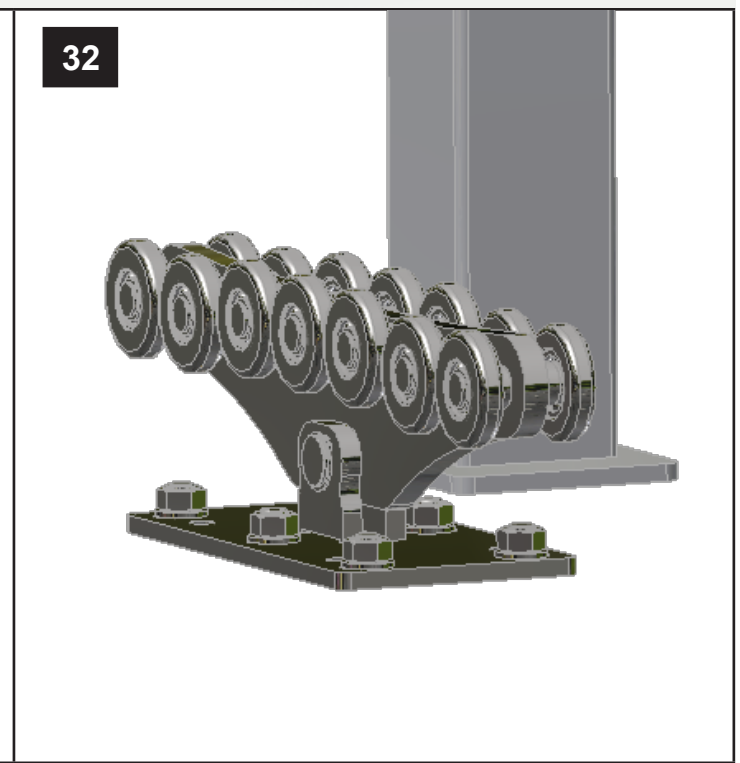
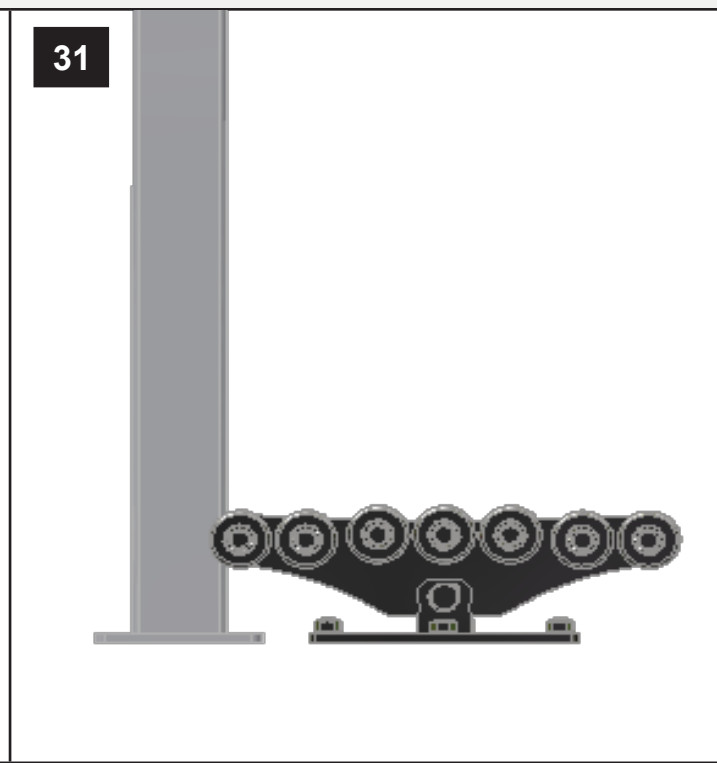
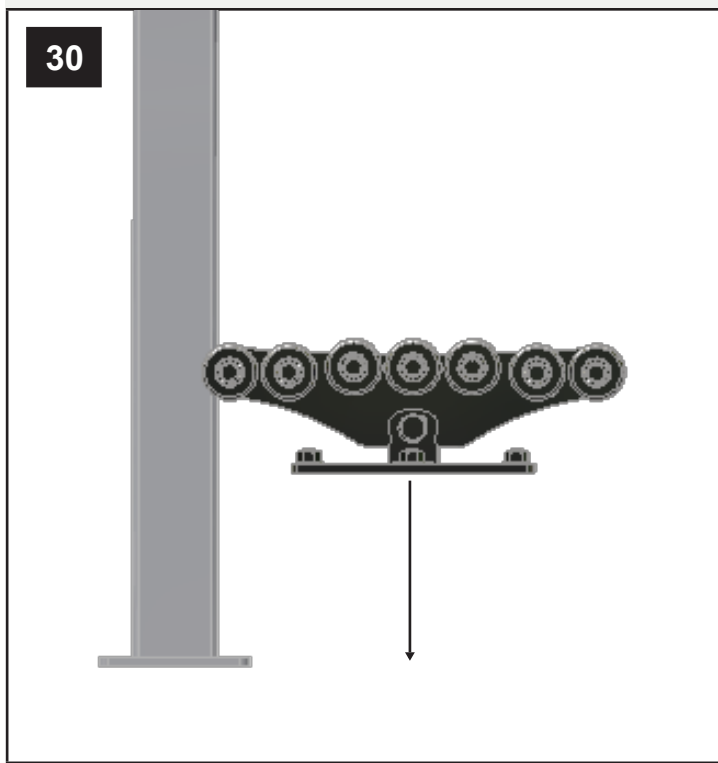


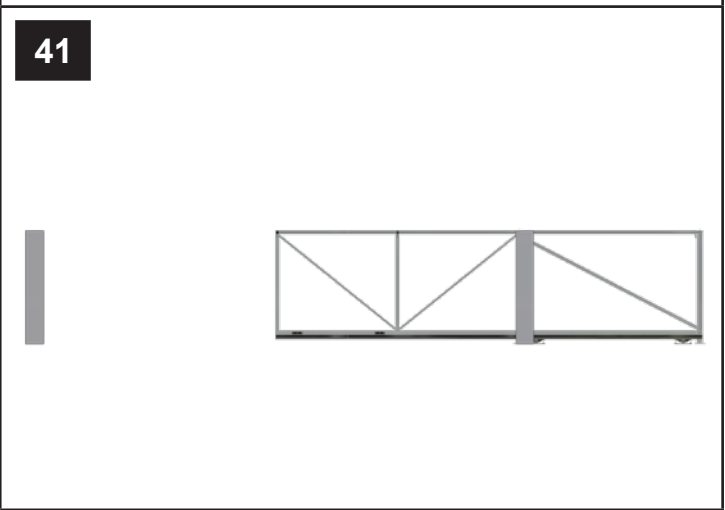
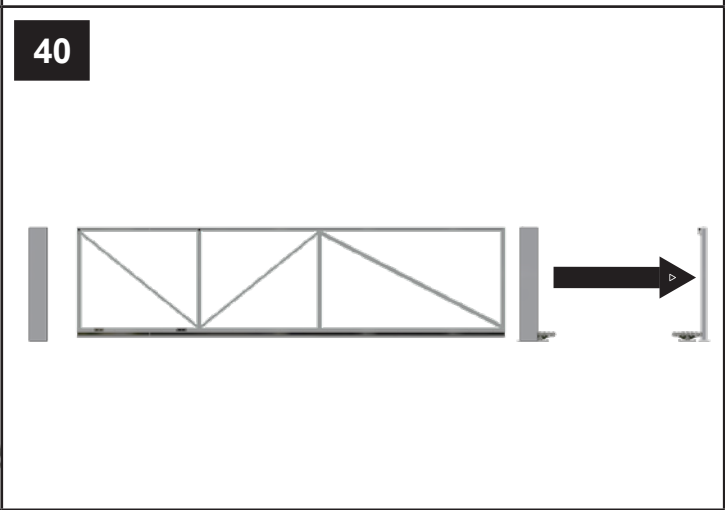
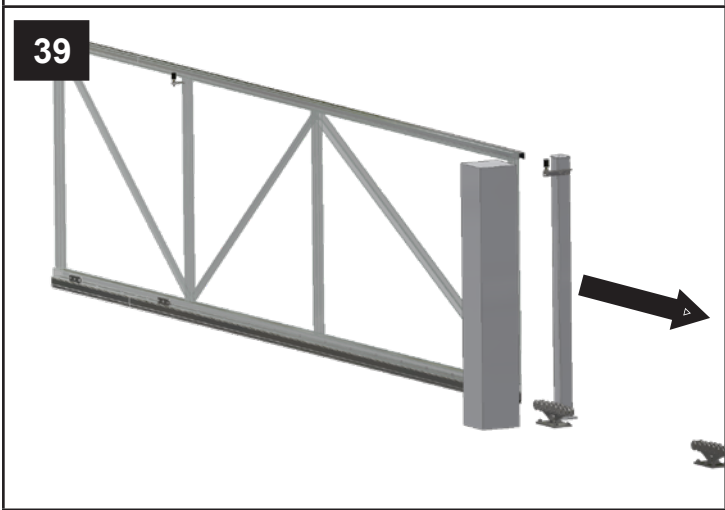
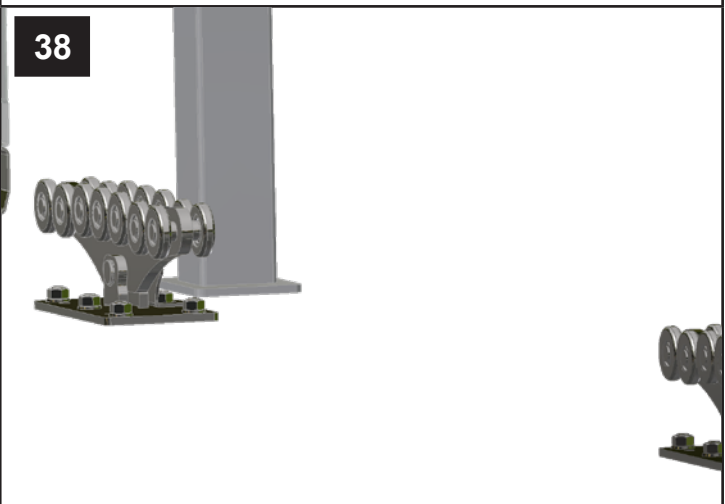
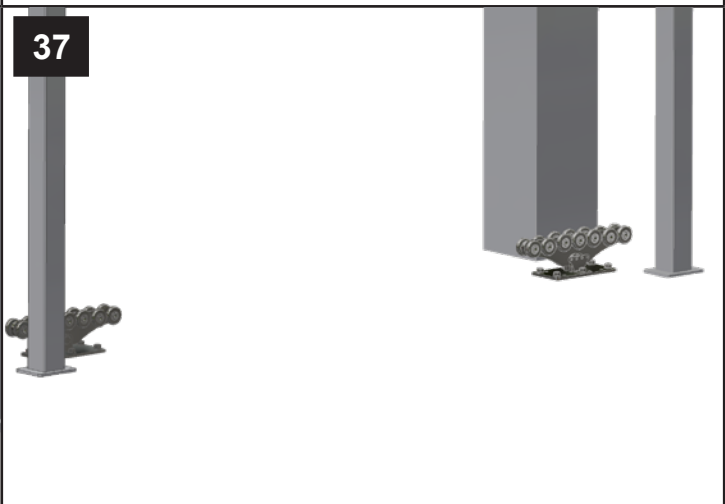
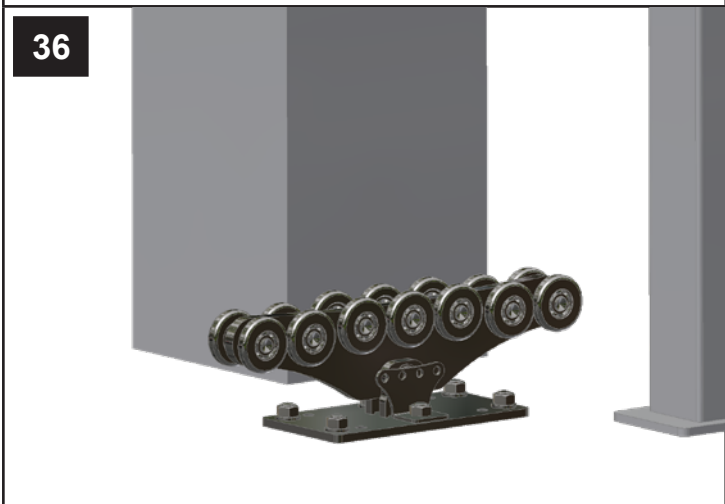
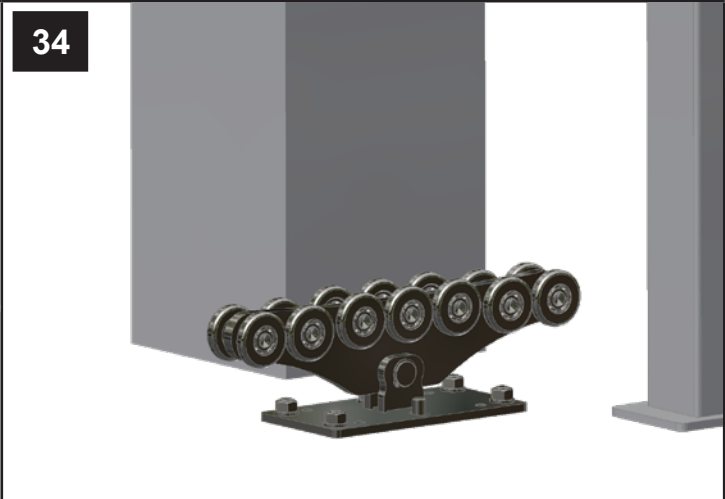
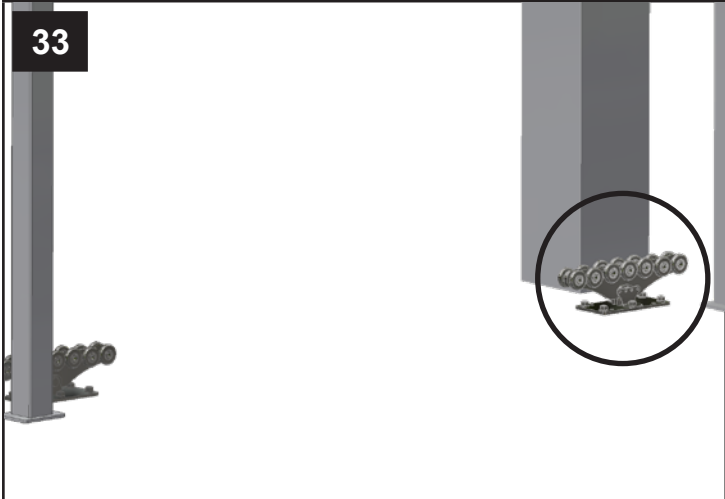
15



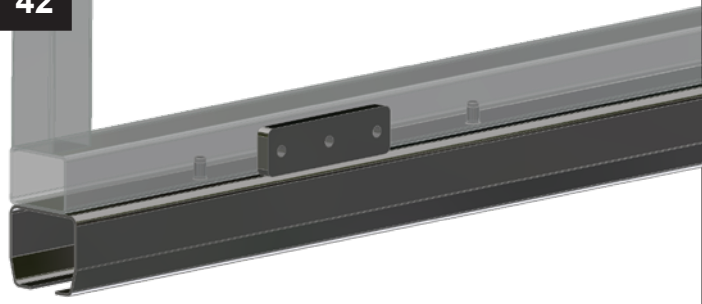




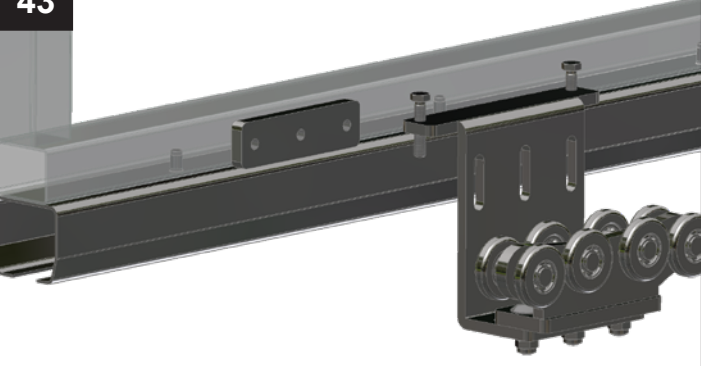




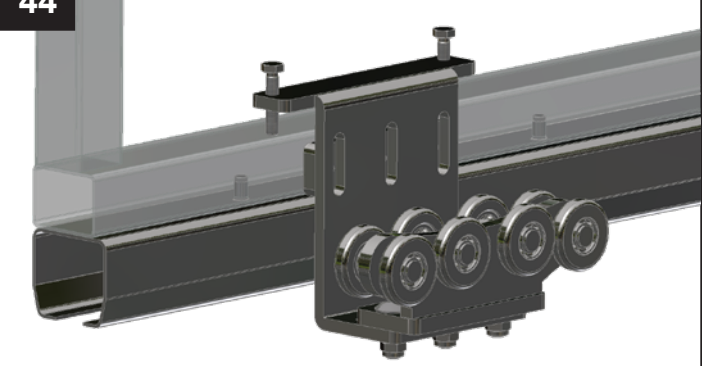
42



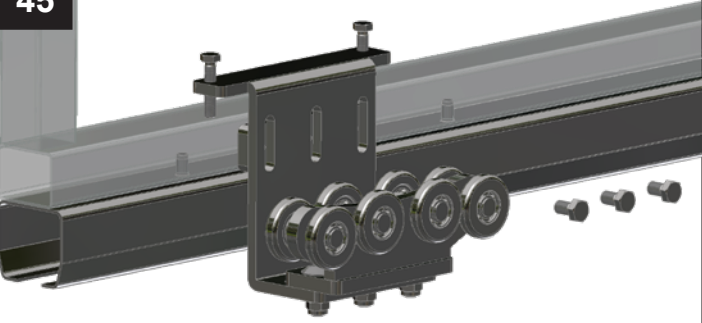
43



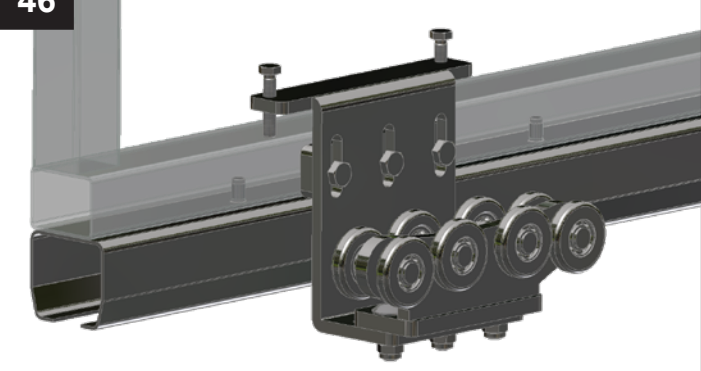
44



45



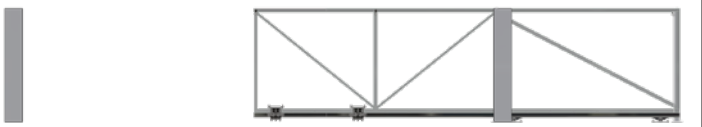
46



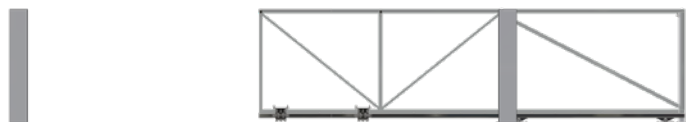
47



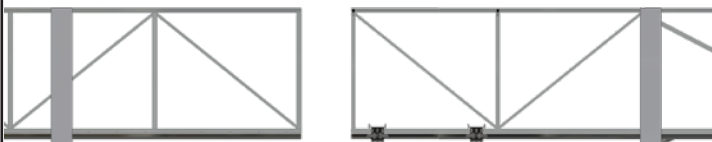
48



49



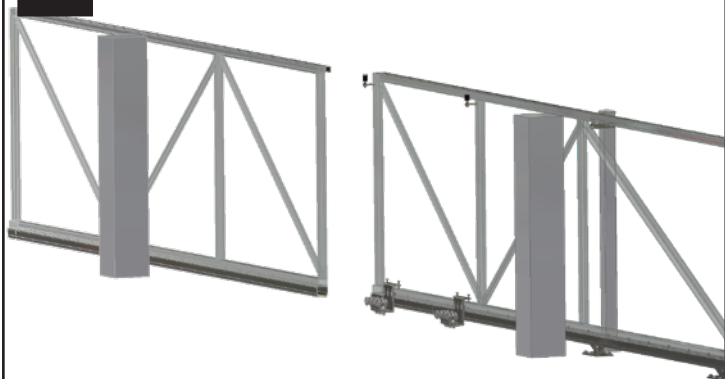
50



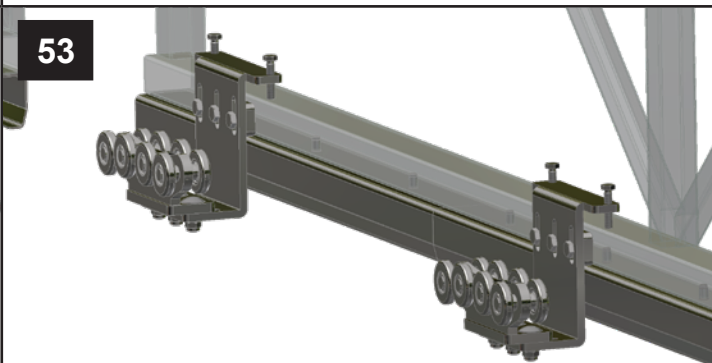
51



52

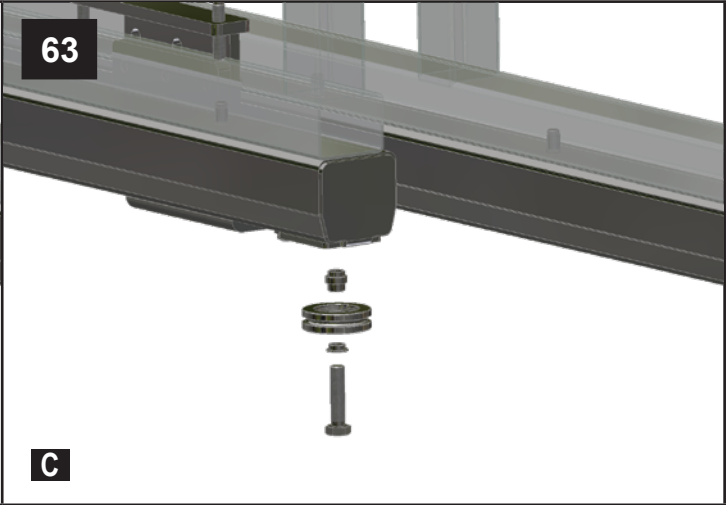
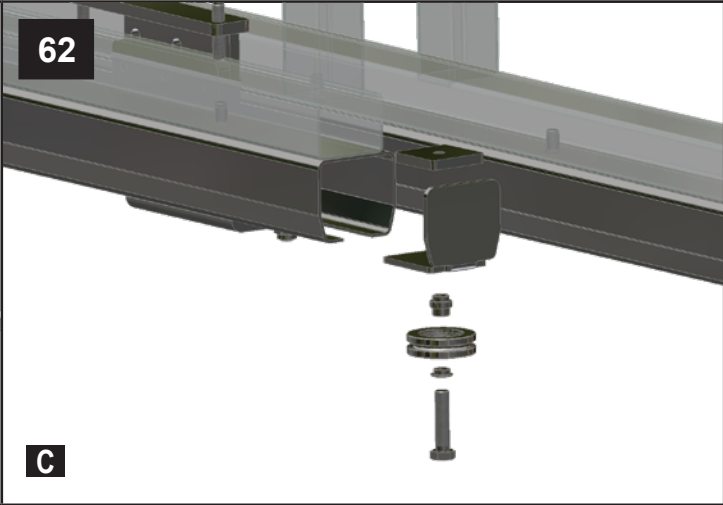
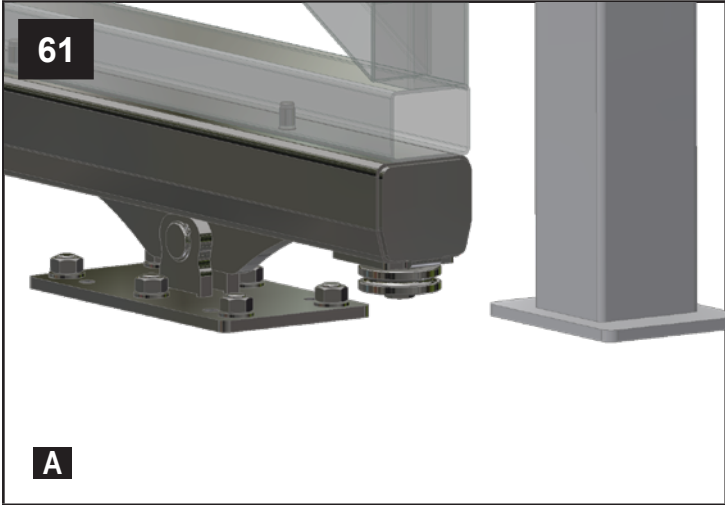
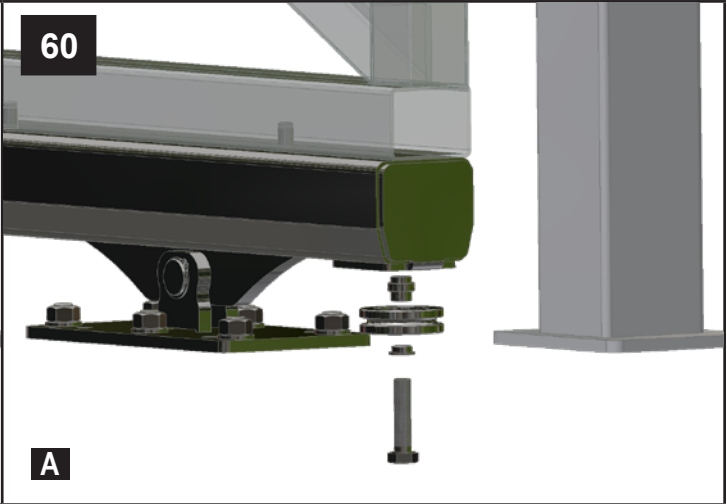
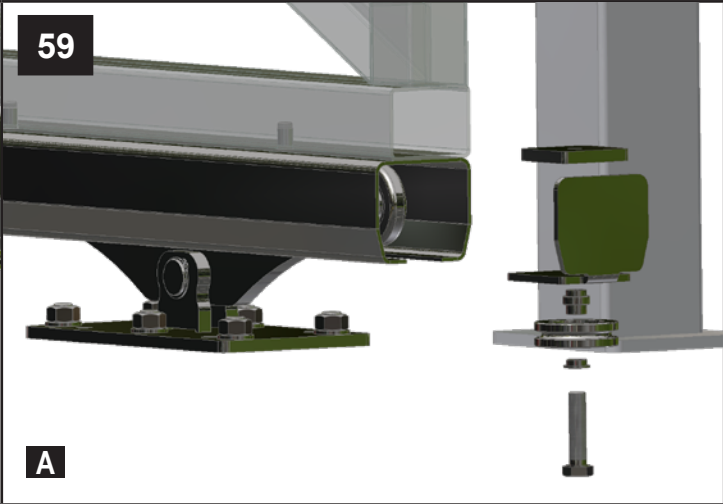
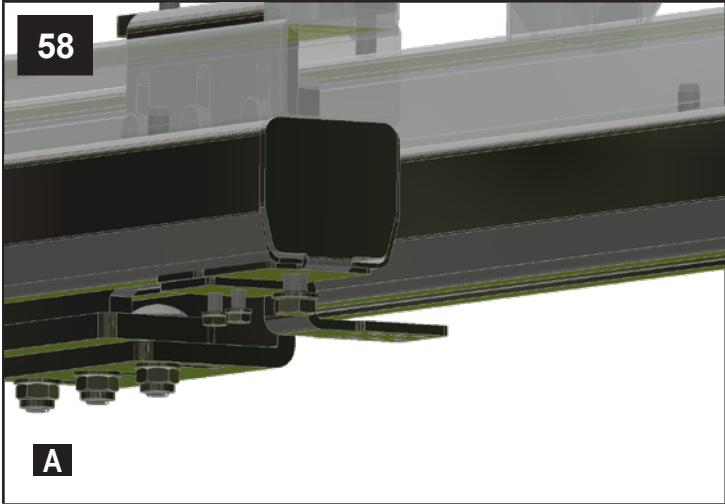
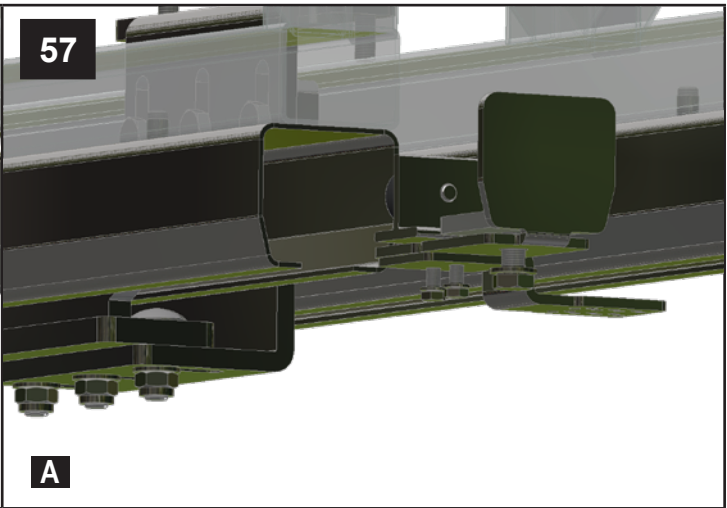
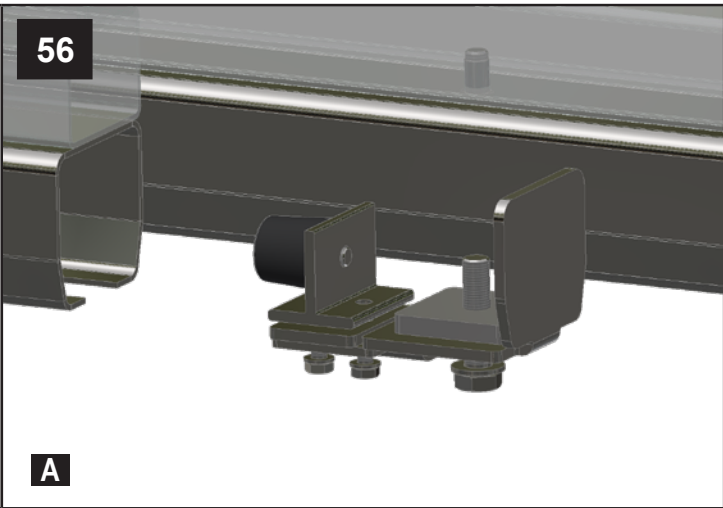
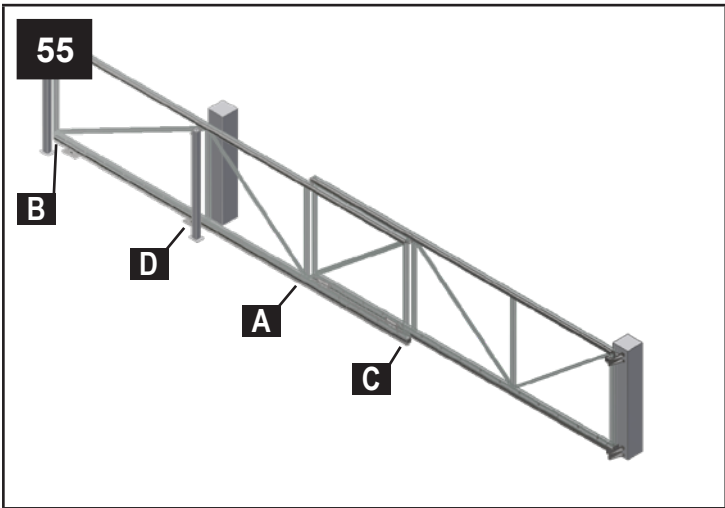


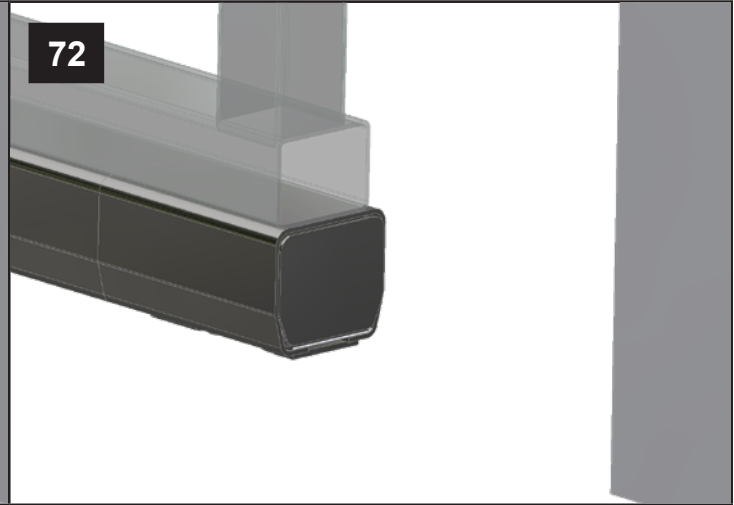
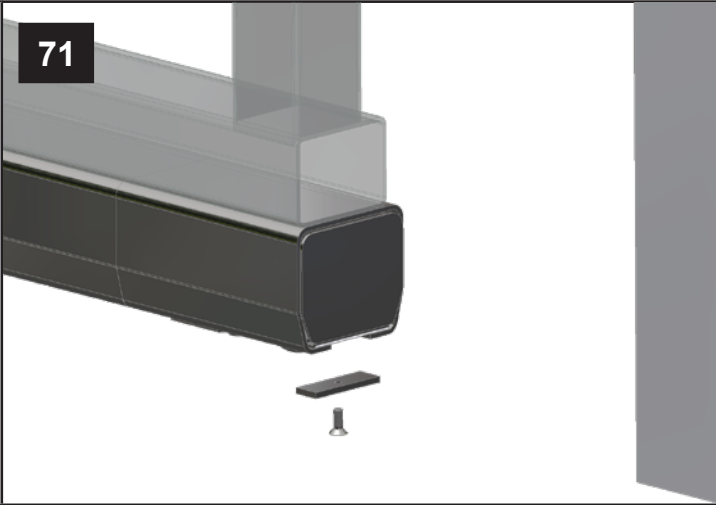
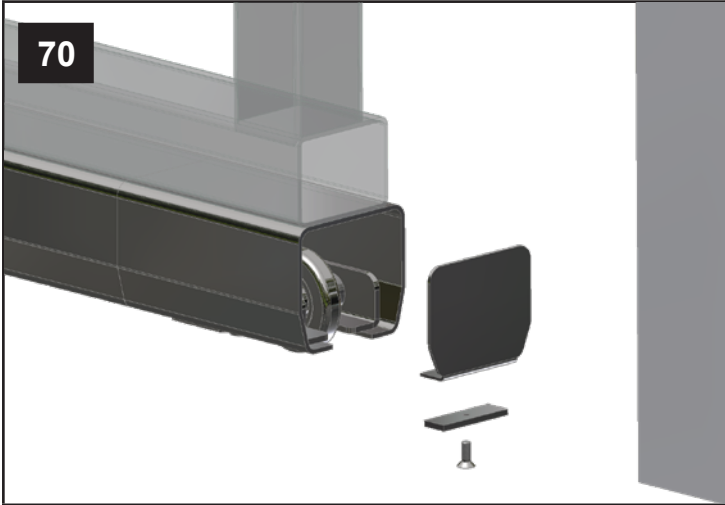
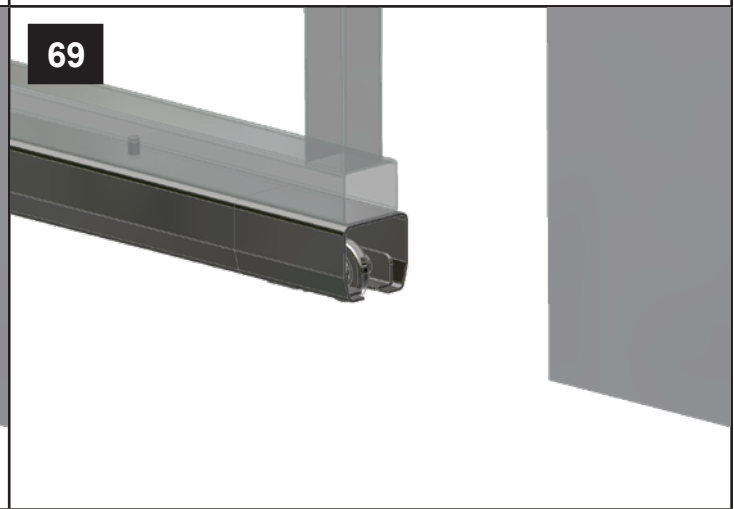
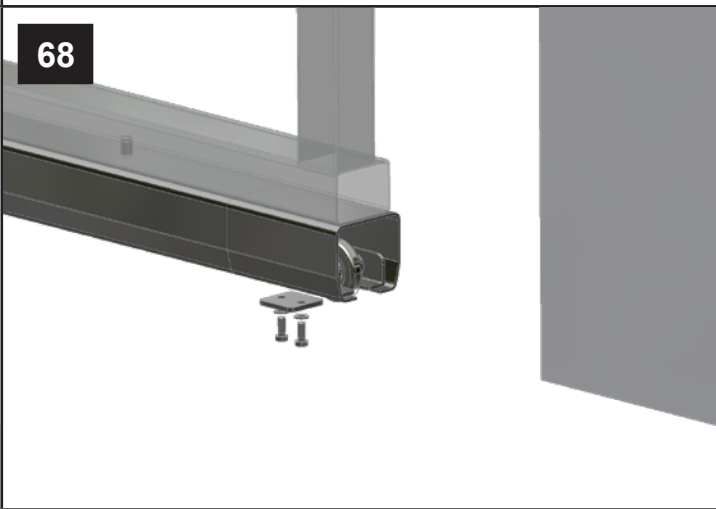
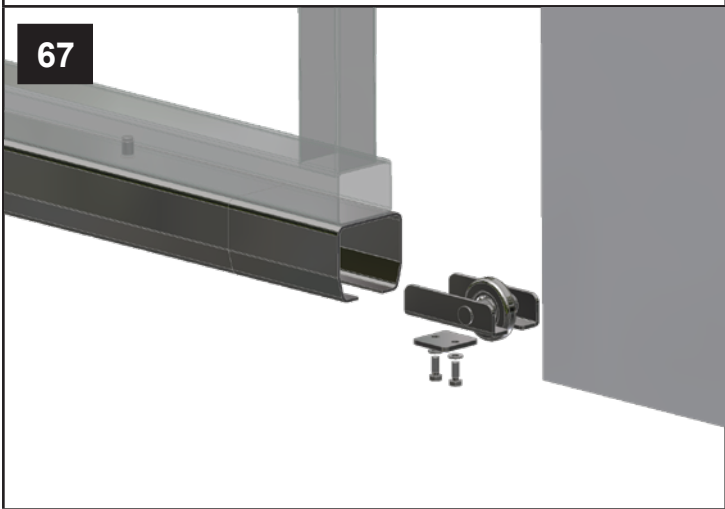
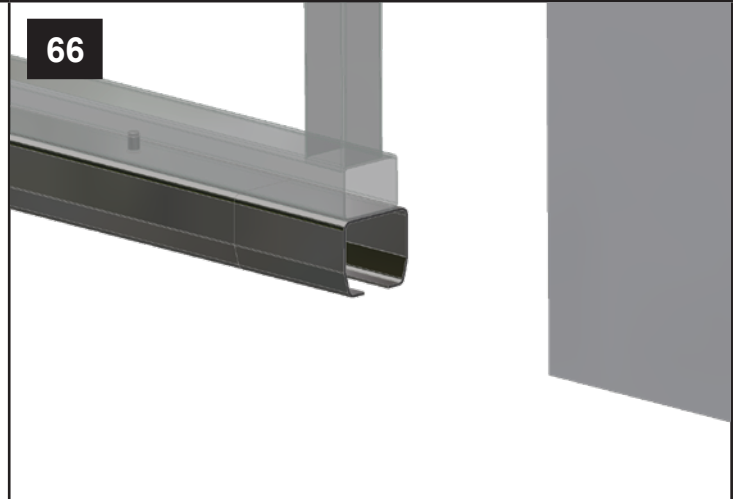
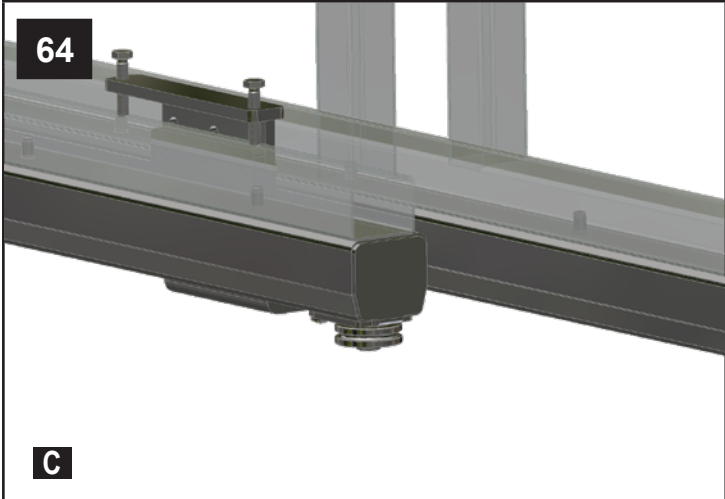
53



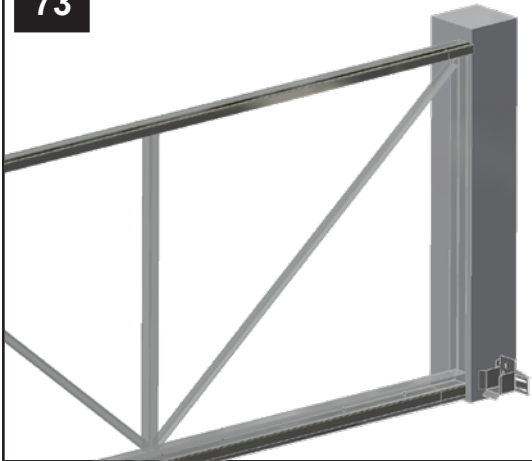
54



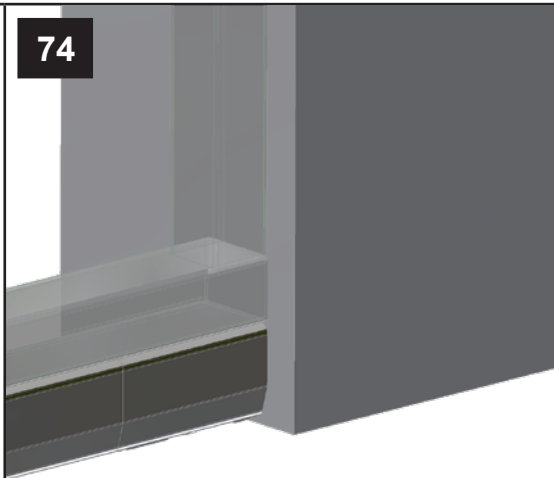




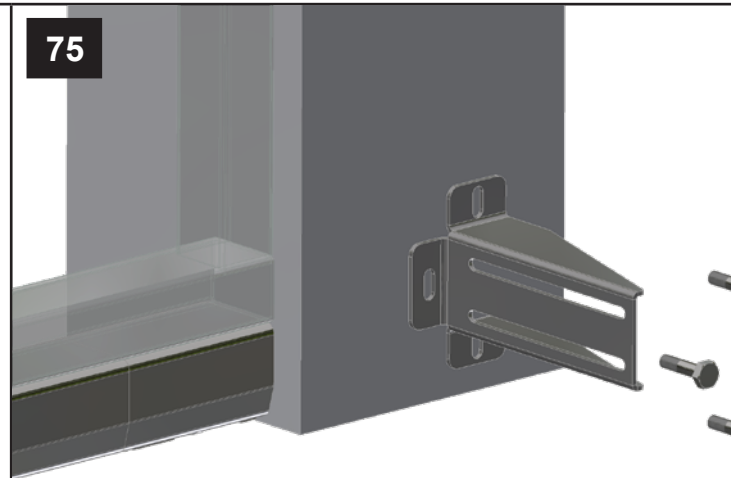
73



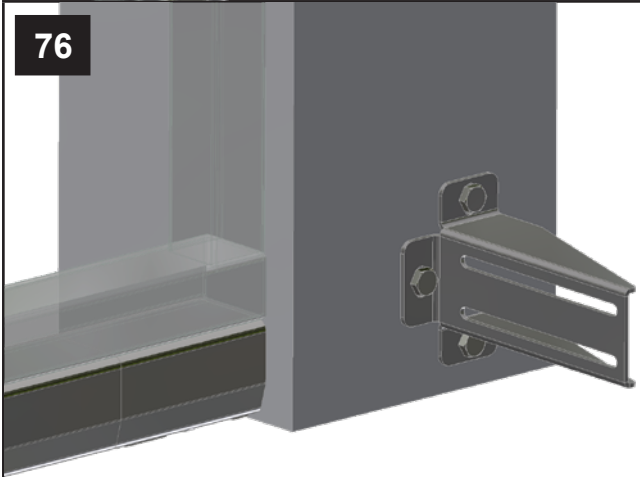
74



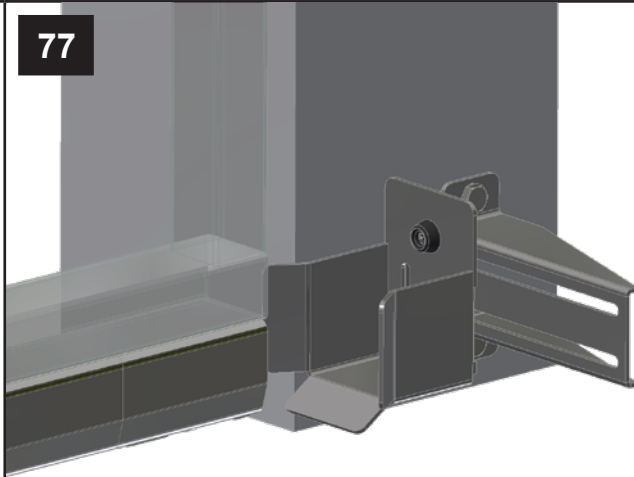
75



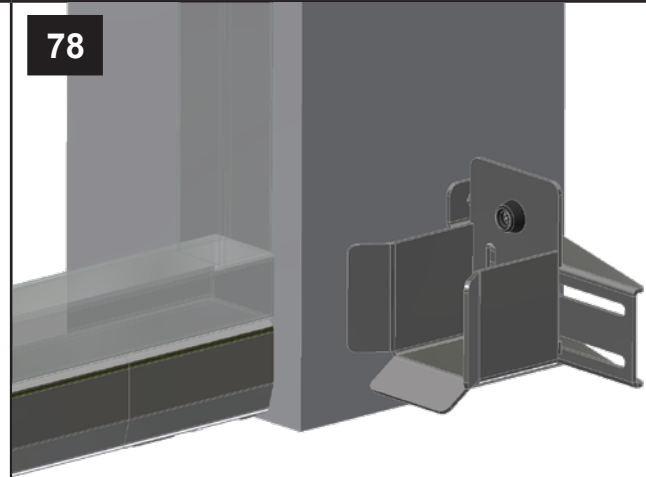
76



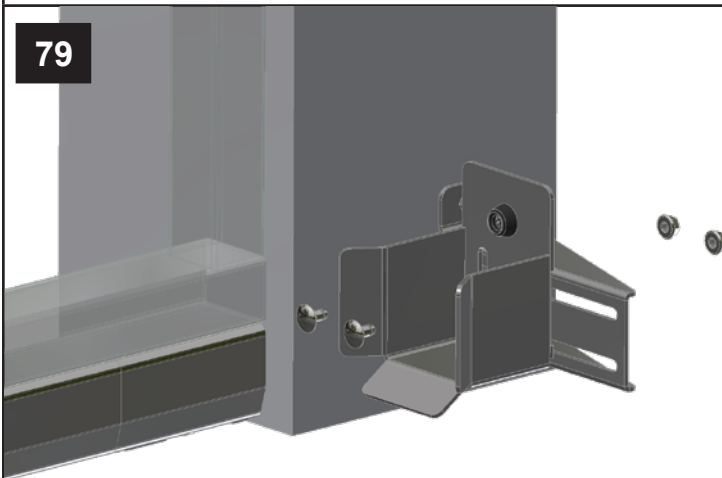
77



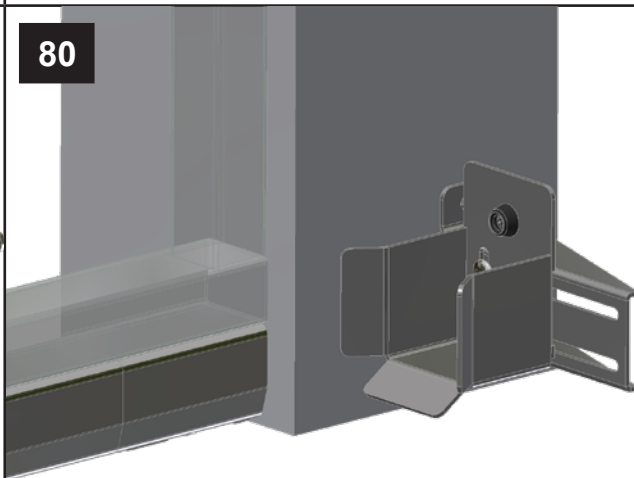
78



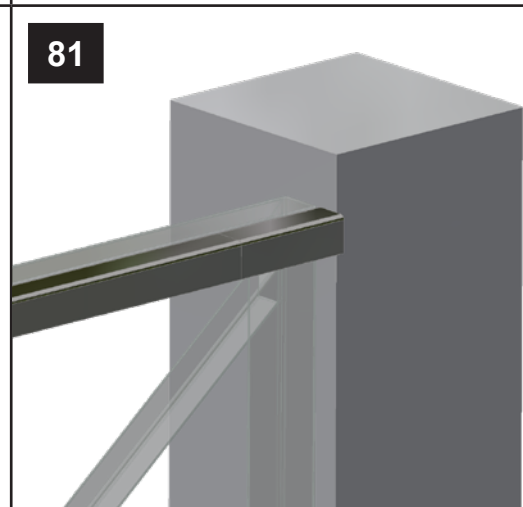
79



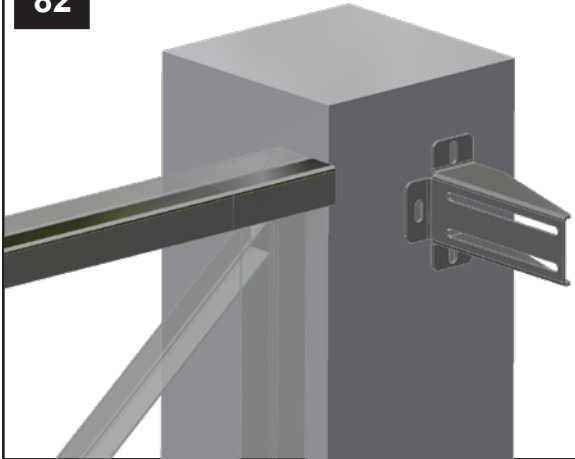
80



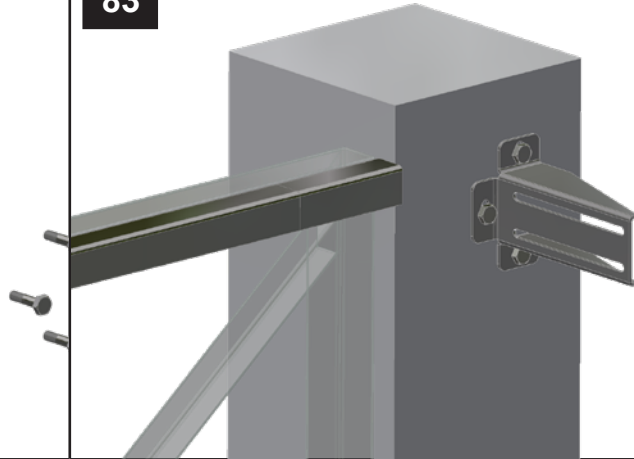
81



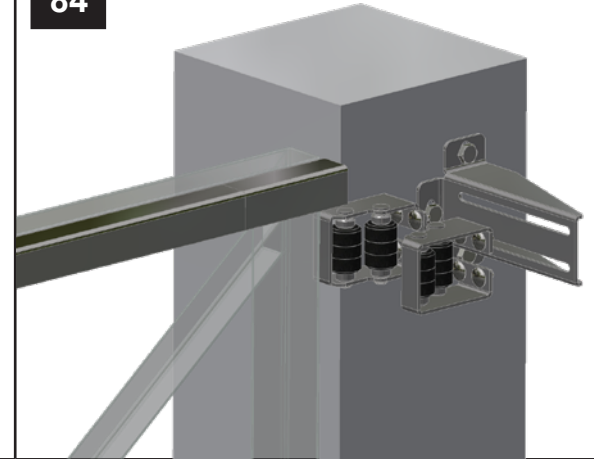
82



83



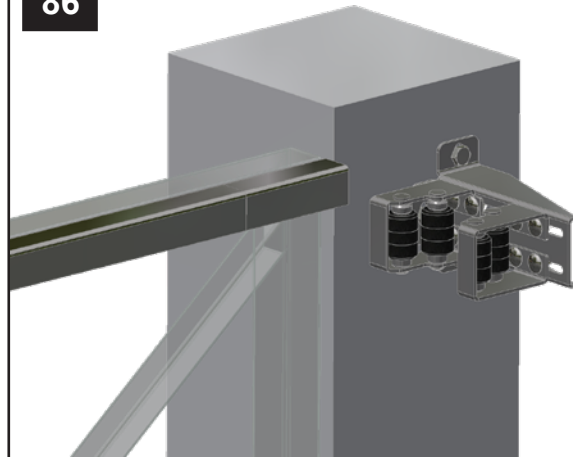
84



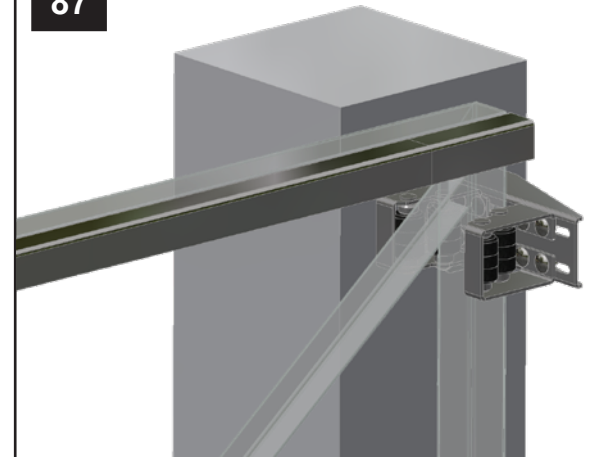
85



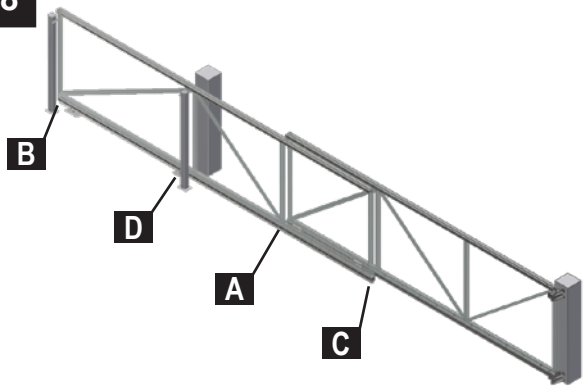
86



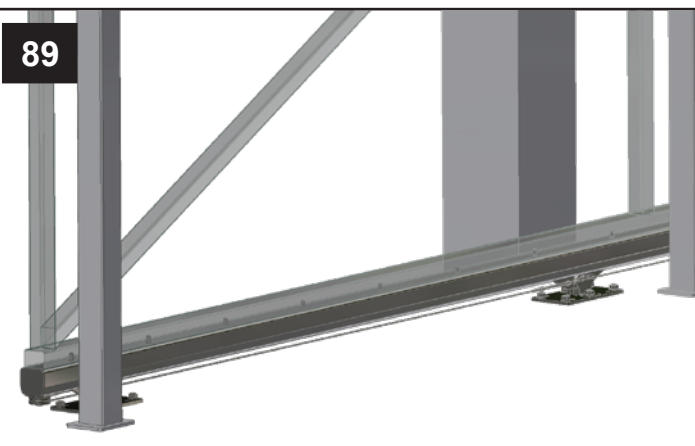
87



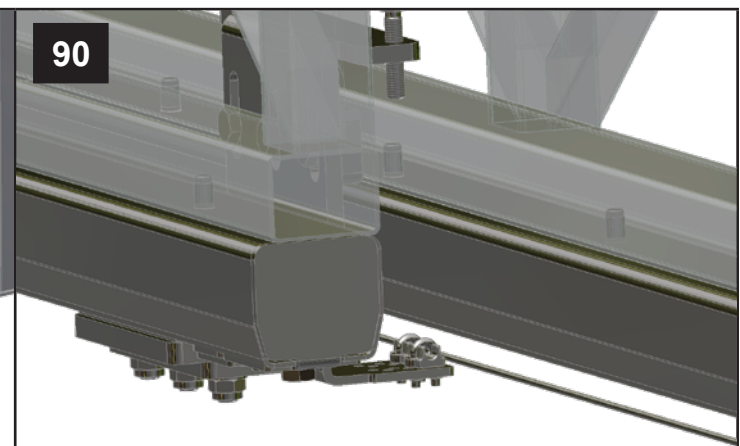
88



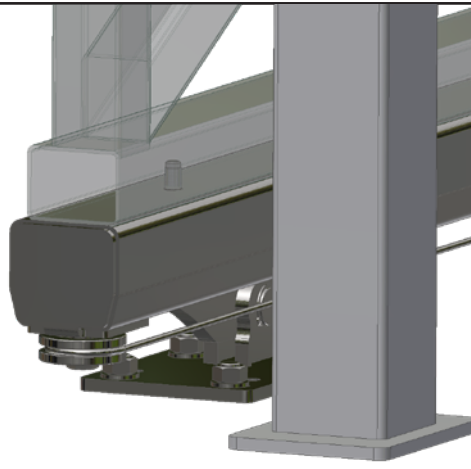
89



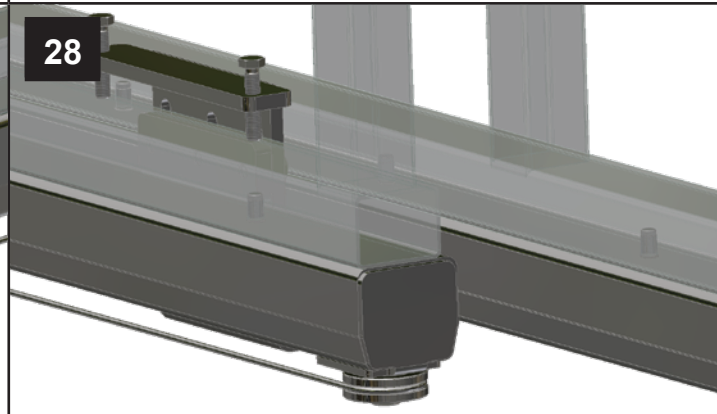
90



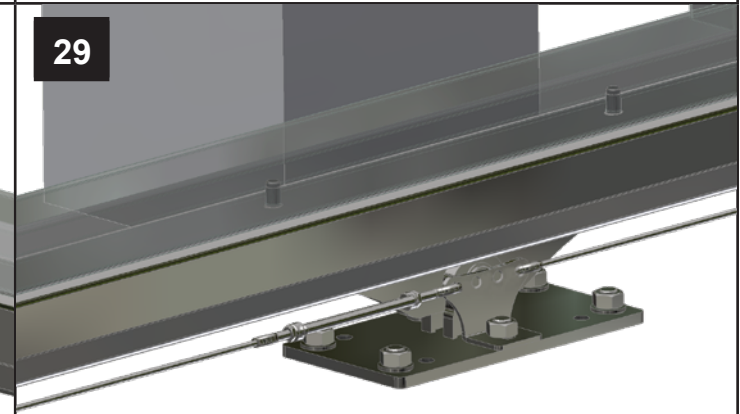
27



28



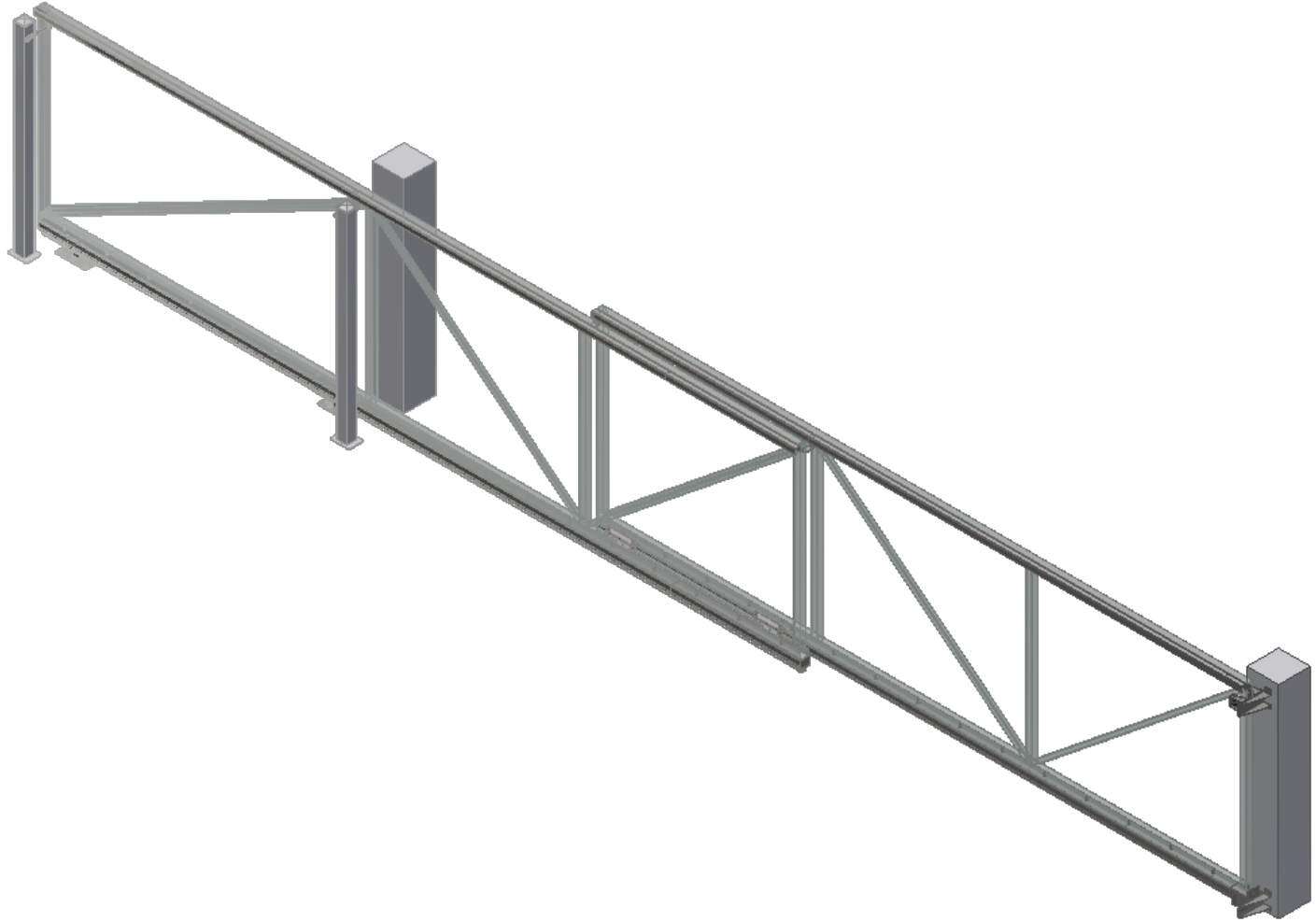
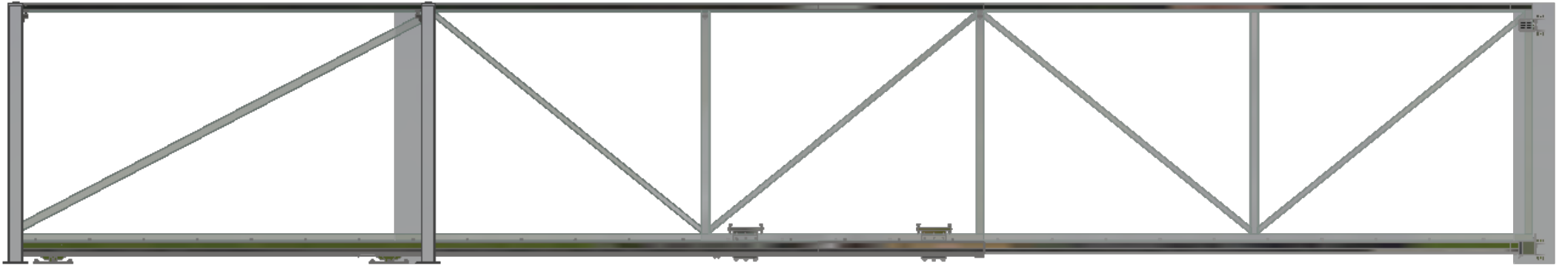
29

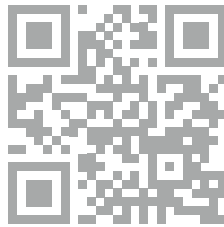


B

C

D





www.cais.eu